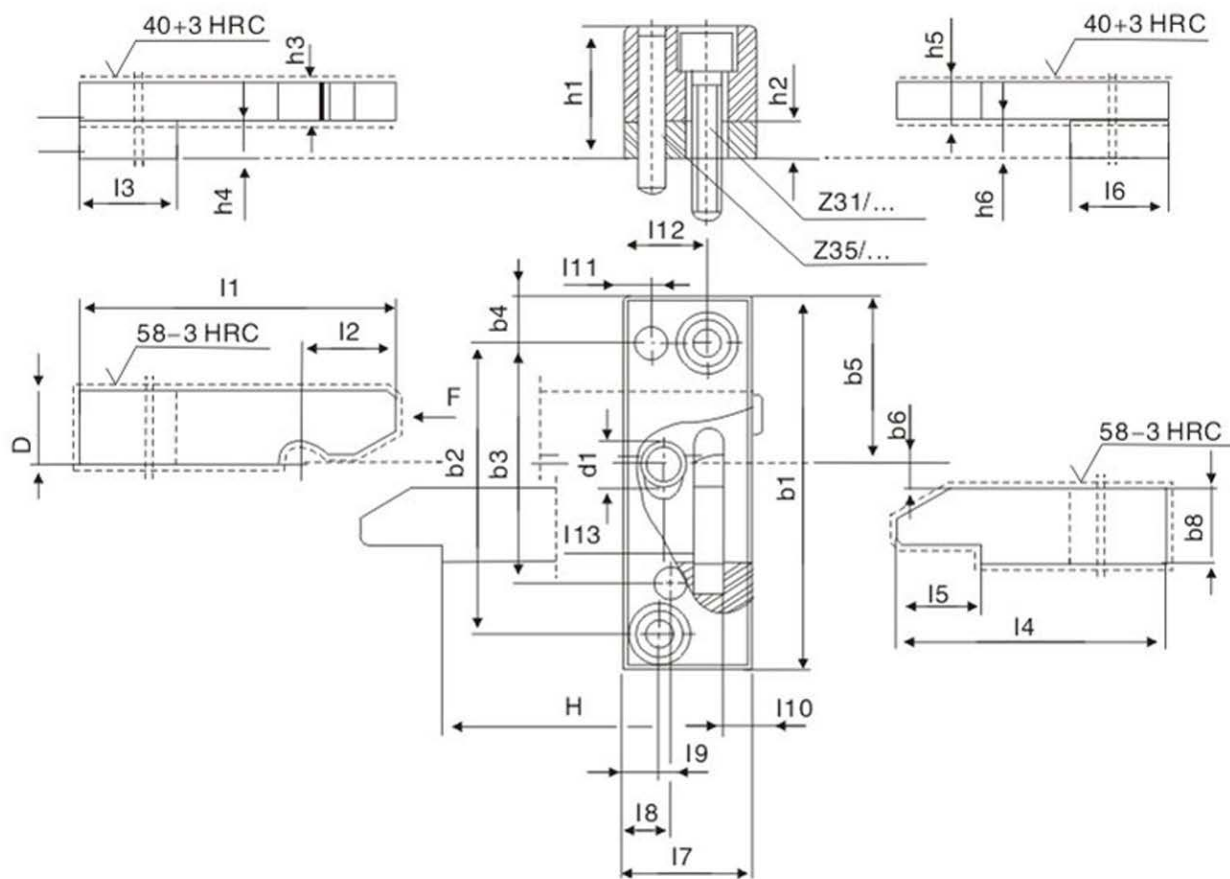


設計簡單，容易安裝。操作時具有高度的可靠性。

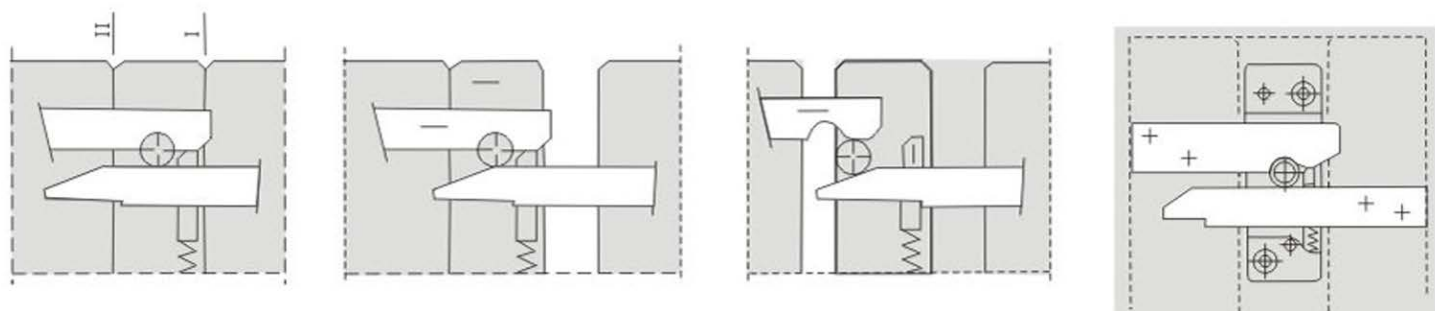
經試驗和測試與Z171可以兩選一使用。

Designed simple, easy to install, the height is adjustable when operating. Test proved that you can choose one from Z170 and Z171



Type	b1mm	l7mm	b4mm	l11mm	l9mm	l8mm	l12mm	b5mm	l13mm	h2mm	l1mm	b7mm	h3mm	l4mm
Z170/1	63	22	8	5	6	8	14	28.5	7	6	100	12.5	6	125
Z170/2	90	34	13	8	8	18	24	45	16	7.5	140	20	12.5	160
Z170/3	110	42	15	9	9	22	31	55	20	12	200	25	16	250

Example 使用例



Order: Type No. x Pcs
Z170/1 X 10

2D下载

3D下载

返回索引