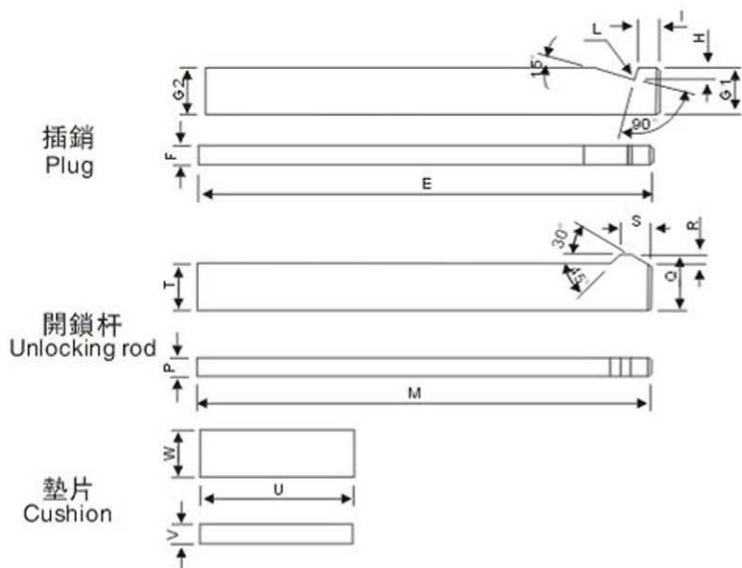
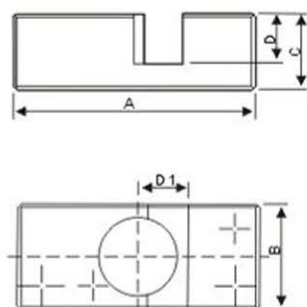


消除了打碎模具的可能性, 因為不需要任何可以改變的調整或需要可能意外碰掉的連接。適用於一般的或重型的模具, 每副模具最少需要四個鎖模扣。

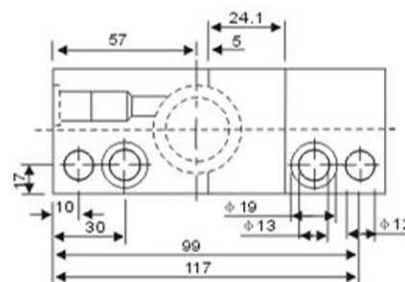
To eliminate the possible break themold, because it does not require any can be changed to adjust or may beconnectedto accidentally drop. Applicable to general or heavy die, each mold need atleast fourlocking buckle.



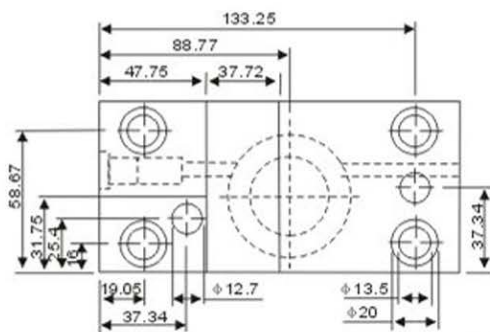
鎖模機架 Locking blocks



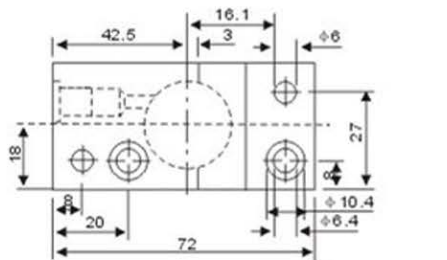
LLL101E



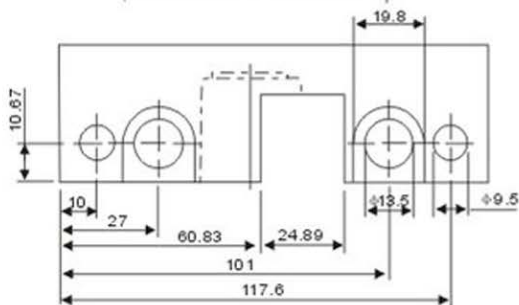
LLL201



LLL051E



LLL151



Type	尺寸Size										
	A	P	C	D.NOM.	E	F	G1 NOM.	G2 NOM.	H	I NOM.	LRAD
LLL 051E	80	35	25	16.2	180	7.9	16	16	3.4	6	1
LLL101E	127	47	37	22.2	254	11.9	24	24	3.5	12	
LLL 151		49.2	36.5			12.07	24.56	24.81	2.92	12.7	0.75
LLL 201	152.5	74.6	61.9	38.1	406	24.77	37.21	37.46	4.75	15.9	1

Type	尺寸Size									
	M	P	Q	RNOM	S	T	U	V	W	
LLL 051E	180	7.9	16	3	3.5	12.5	55	8	12	
LLL 101E	254	9.9	24	4	16	20	75	12	20	
LLL 151		9	24.81	4.76	15.87	20.95	76.2	12.39	22.22	
LLL 201	406	12.07	37.46	6.98	22.22	31.87	114.3	25.27	38.1	

Order: x
LLL 051E X 10

2D下載

3D下載

返回索引